

MGN 3300 / 4000 Gas Burner



MGN 3300/4000 Gas Burner features:

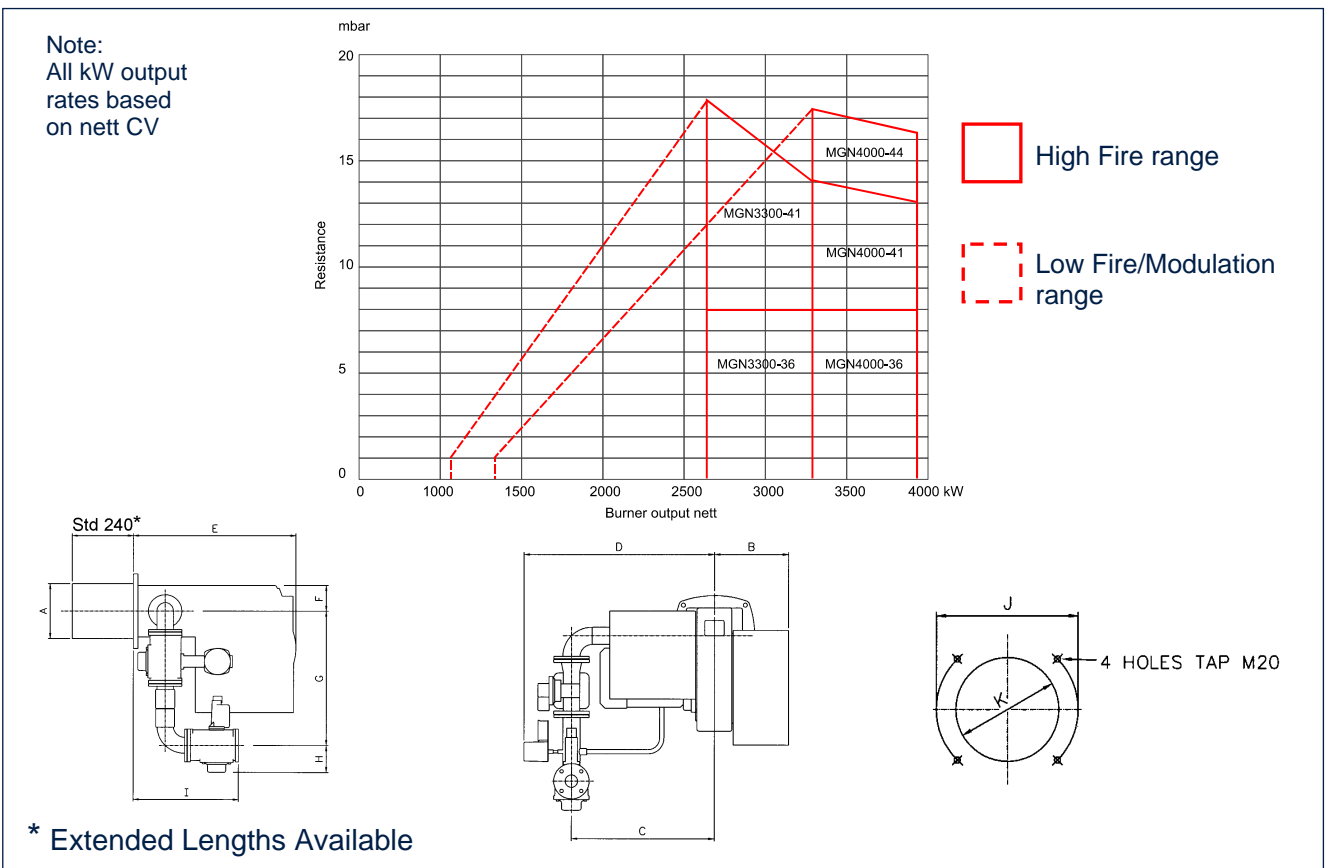
- Energy saving and compatible with environmental requirements
- Quiet in operation and designed for easy maintenance
- Reliable and trouble-free
- Designed and approved in accordance with the European Standard EN 676
- Two stage or fully modulating operation
- Plug-in contact facilitates the installation
- Variable speed combustion gas (optional extra)



For more information on all Nu-way products
please visit www.nu-way.co.uk



Type		MGN 3300	MGN 4000
Capacity	kW	1098-3294	1320-3958
Motor	V/Hz	400 / 50	
	kW/A (Fuse) HRC	3300-36 3300-41	7.5 / 3 x 25 HRC 11 / 3 x 30 HRC
Start/Run Current	Amps	3300-36	65 / 15
		3300-41	72 / 22.8
		4000-36	65 / 15
		4000-41	72 / 22.8
4000-44	92 / 29.7		
Control unit		Satronic/Landis	Satronic/Landis
Max inlet pressure		300	300
Flame monitoring		UV cell	UV cell
Operation mode		2 stage or fully Modulating	
Air damper motor		•	•
Gross weight	kg	330	330
Volume	m ³	2.344	2.344



Burner	A	B	øC	øD	E	F	G	H	I	J	øK
MGN 3300-36 MGN 3300-41	310	400	740	1000	906	145	760	163	590	454	330
MGN 4000-36 MGN 4000-41 MGN 4000-44	310	400	740	1000	906	145	760	163	610	454	330

Enertech Limited, P O Box 1, Vines Lane
Droitwich, Worcestershire, WR9 8NA

tel: +44 (0) 1905 794331 • fax: +44 (0) 1905 794017
email: info@nu-way.co.uk • web: www.nu-way.co.uk

