

# MGN 190 / 320 Gas Burner



## MGN 190/320 Gas Burner features:

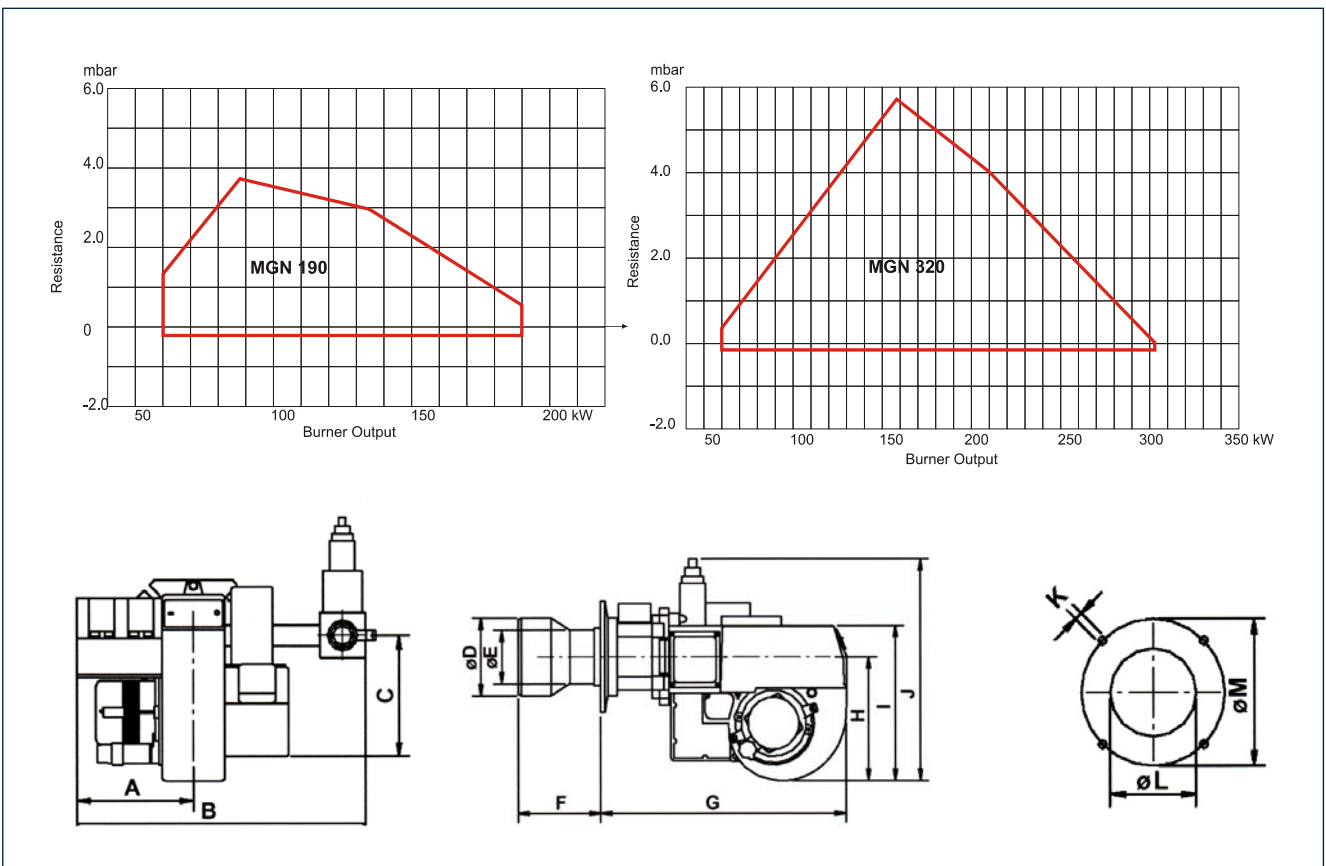
- Energy saving and compatible with environmental requirements
- Quiet in operation and designed for easy maintenance
- Designed and approved in accordance with the European Standard EN 676
- Plug-in contact facilitates the installation
- Hinged flange
- Designed for one stage, two stage, or modulating operation
- Available for natural gas, LPG, town gas, biogas
- All kW ratings are nett CV



For more information on all Nu-way products  
please visit [www.nu-way.co.uk](http://www.nu-way.co.uk)



Type		MGN 190	MGN 320
Capacity	kW	60-190	60-318
Motor	V/Hz W/A (Fuse)	230 / 50 180 / 10	230 / 50 250 / 10
Start / Run Current	Amps	5 / 2.3	8.7 / 2.2
Control box		Landis & Staefa	Landis & Staefa
Flame monitoring		Ionisation	Ionisation
Air damper motor		•	•
Operation mode		1 stage, 2 stage or Modulating	
Gross weight	kg	27	29
Volume	m <sup>3</sup>	0.13	0.15



Burner	A	B	C	øD	øE	F*	G	H	I	J	K	øL	øM
MGN 190 S1L	175	460	115	120	89	125	472	220	275	380	M10	120	175-240
MGN 190 T1L	182	470	115	120	89	125	472	220	275	475	M10	120	175-240
MGN 320 S1L	195	506	222	140	100	155	510	250	304	410	M10	140	175-240
MGN 320 T1L	195	506	222	140	100	155	510	250	304	505	M10	140	175-240

\* Extended Lengths Available

Enertech Limited, P O Box 1, Vines Lane  
Droitwich, Worcestershire, WR9 8NA

tel: +44 (0) 1905 794331 • fax: +44 (0) 1905 794017  
email: info@nu-way.co.uk • web: www.nu-way.co.uk

